

Kugelhähne aus Edelstahl

Stainless steel ball valves

Baureihe

911

913

dreiteilig mit Innengewinde/Anschweißende
three - piece with female thread/butt weld

Rp^{1/4} - Rp 3



Typ 911 mit Innengewinde, with female thread
Typ 913 mit Anschweißende, with butt weld



Konstruktions-Merkmale

- dreiteiliges Gehäuse
- voller Durchgang
- ausblassichere Schaltwelle
- einstellbare Stopfbuchse
- silikonfrei

Temperaturbereich:

-20° C bis max. + 180° C
(abhängig vom Betriebsdruck)

Verwendung:

Öle, Druckluft, Wasser, Dampf, Lösungsmittel,
Kraftstoffe, aggressive Medien

Bemerkung:

Stopfbuchsmutter muss in zeitlichen Abständen nachgezogen werden.

Druckgeräterichtlinie:

PED DN8-DN25 Kat. 0
PED DN32-DN80 Kat. 2

Design features

- three-piece body
- full port design
- blow out proof stem design
- adjustable stem packing
- free of silicone

working temperature:

-20° C bis max. + 180° C
(depending on working pressure)

suitable for:

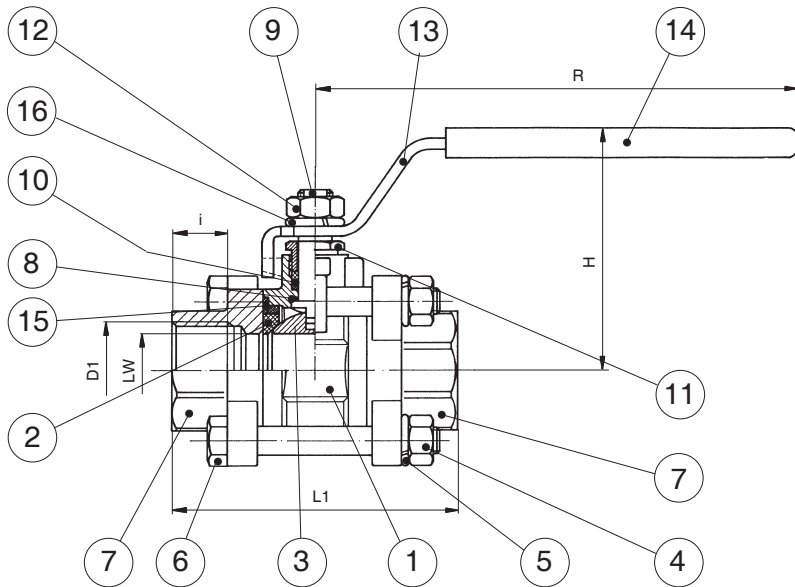
oils, compressed air, water, steam, solvents,
fuels, aggressive mediums

remark:

gland nut must be adjusted in intervals.

Pressure Equipment Directive:

PED DN8-DN25 Cat. 0
PED DN32-DN80 Cat. 2



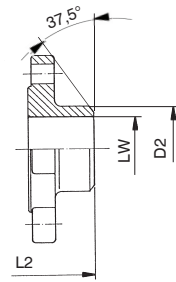
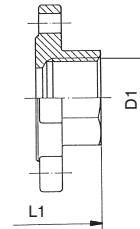
Anschlüsse / connection ends

Innengewinde
female thread

Anschweißende (ANSI B 16.25)
butt weld (ANSI B 16.25)

911

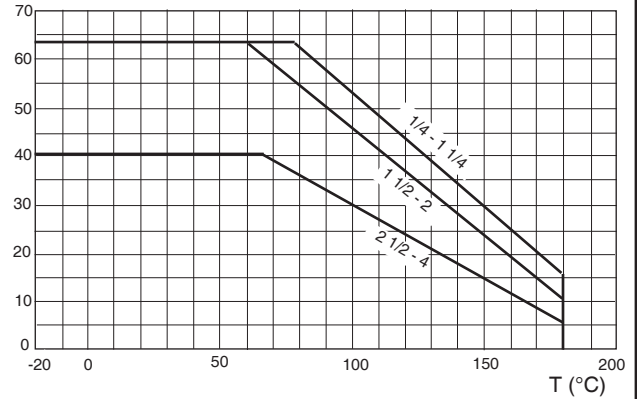
913



| Nr./No | Benennung | part name | Werkstoff | material |
|--------|------------------|---------------|------------|------------------|
| 1 | Gehäuse | body | 1.4408 | ASTM 351 Gr.CF8M |
| 2 | Kugeldichtung | ball seal | PTFE | PTFE |
| 3 | Kugel | ball | 1.4401 | SS 316 |
| 4 | Skt.-Mutter | bolt nut | 1.4301 | SS 304 |
| 5 | Federring | bolt washer | 1.4301 | SS 304 |
| 6 | Skt.-Schraube | bolt | 1.4301 | SS 304 |
| 7 | Nippel / Flansch | cap | 1.4408 | ASTM 351 Gr.CF8M |
| 8 | Spindeldichtung | stem seal | PTFE | PTFE |
| 9 | Spindel | stem | 1.4401 | SS 316 |
| 10 | Spindelpackung | stem packing | R PTFE | R PTFE |
| 11 | Mutter | nut | 1.4301 | SS 304 |
| 12 | Griffmutter | handle nut | 1.4301 | SS 304 |
| 13 | Griff | handle | 1.4301 | SS 304 |
| 14 | Griffüberzieher | handle sleeve | Kunststoff | Vinyl |
| 15 | Gehäusedichtung | body gasket | PTFE | PTFE |
| 16 | Federring | bolt washer | 1.4301 | SS 304 |

bar

Druck-Temperaturdiagramm



**Bestellangaben:
ordering data:**

Baureihe - DN
series

Nennweite
diameter

911/913

**Bestellbeispiel
ordering example:**

911 - 20

Maße in mm, dimensions in mm

| DN | LW | PN bar | D1 ISO 7-1 | D2 | i | L1 | L2 | H | R | Gewicht weight ~kg | Bestell-Nr. ordering no. | |
|-----|-------|-----------|---------------|-------|------|-----|-----|-----|-----|--------------------------|-----------------------------|-------------|
| 8 | 10,0 | 64 | Rp 1/4 | 14,0 | 13,0 | 60 | 70 | 51 | 100 | 0,350 | 911 - 1/4 | 913 - 1/4 |
| 10 | 10,0 | 64 | Rp 3/8 | 17,2 | 13,0 | 60 | 58 | 51 | 100 | 0,350 | 911 - 3/8 | 913 - 3/8 |
| 15 | 15,0 | 64 | Rp 1/2 | 21,4 | 16,0 | 75 | 64 | 60 | 130 | 0,560 | 911 - 1/2 | 913 - 1/2 |
| 20 | 20,0 | 64 | Rp 3/4 | 27,0 | 18,0 | 80 | 78 | 64 | 130 | 0,750 | 911 - 3/4 | 913 - 3/4 |
| 25 | 25,0 | 64 | Rp 1 | 33,8 | 19,5 | 90 | 86 | 72 | 165 | 1,040 | 911 - 1 | 913 - 1 |
| 32 | 32,0 | 64 | Rp 1 1/4 | 42,5 | 22,0 | 110 | 104 | 78 | 165 | 1,740 | 911 - 1 1/4 | 913 - 1 1/4 |
| 40 | 40,0 | 64 | Rp 1 1/2 | 48,4 | 24,0 | 120 | 119 | 86 | 190 | 2,410 | 911 - 1 1/2 | 913 - 1 1/2 |
| 50 | 50,0 | 64 | Rp 2 | 60,4 | 24,0 | 140 | 133 | 94 | 190 | 3,660 | 911 - 2 | 913 - 2 |
| 65 | 65,0 | 40 | Rp 2 1/2 | 76,2 | 31,0 | 185 | 165 | 132 | 250 | 7,100 | 911 - 2 1/2 | 913 - 2 1/2 |
| 80 | 80,0 | 40 | Rp 3 | 90,0 | 32,0 | 205 | 184 | 142 | 250 | 10,500 | 911 - 3 | 913 - 3 |
| 100 | 100,0 | 40 | --- | 121,0 | --- | --- | 230 | 196 | 386 | 24,600 | --- | 913 - 4 |